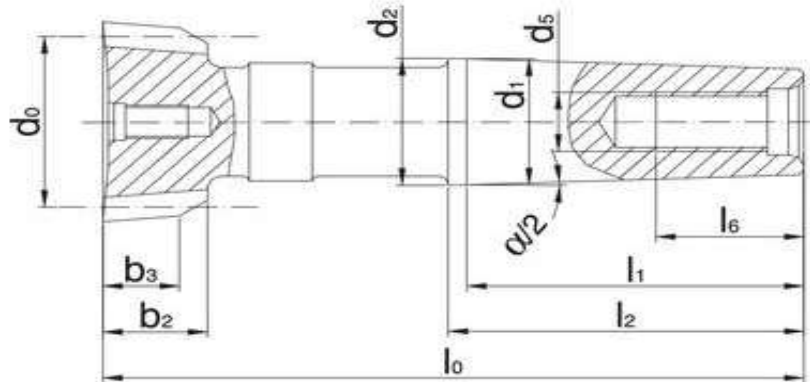


13. Schaftschneidrad ASA B 5.15-1960

(Eingriffswinkel 30°, FLAT ROOT)



| Modul | Zähnezahl Z | Nenndurchmesser d_0 | Verzahnungs- breite l_0 - l_2 | Morse- kegel | Bemerkung |
|---------|----------------|-----------------------|--------------------------------------|-----------------|---------------------|
| 0.79375 | 10 | 8 | 30 | 2 | DP 32/64, hapo 0.5 |
| 0.79375 | 28 | 23.5 | 35 | 2 | DP 32/64, hapo 0.72 |
| 1.0583 | 10 | 11.5 | 40 | 2 | DP 24/48, hapo 0.5 |
| 1.27 | 10 | 15 | 17 | 2 | DP 20/30, hapo 0.69 |
| 1.27 | 12 | 17 | 50 | 2 | DP 20/40 |
| 1.5875 | 8 | 15 | 30 | 2 | DP 16/32 |
| 1.5875 | 8 | 15 | 50 | 2 | DP 16/32, hapo 0.67 |
| 1.5875 | 16 | 26 | 80 | 4 | DP 16/32, hapo 0.5 |
| 2.1166 | 8 | 19 | 60 | 2 | DP 12/24, hapo 0.55 |
| 2.1166 | 8 | 20 | 60 | 2 | DP 12/24, hapo 0.5 |
| 2.54 | 8 | 24 | 50 | 2 | DP 10/20, hapo 0.5 |
| 2.54 | 8 | 23 | 80 | 4 | DP 10/20, hapo 0.5 |
| 3.175 | 8 | 30 | 110 | 4 | DP 8/16, hapo 0.67 |
| 3.175 | 9 | 32 | 50 | 2 | DP 8/16 |
| 4.2333 | 8 | 38 | 80 | 4 | DP 6/12, hapo 0.5 |
| 5.08 | 8 | 47 | 60 | 2 | DP 5/10, hapo 0.5 |
| 5.08 | 10 | 55 | 100 | 4 | DP 5/10, hapo 0.5 |
| | | | | | |
| | | | | | |
| | | | | | |
| | | | | | |
| | | | | | |