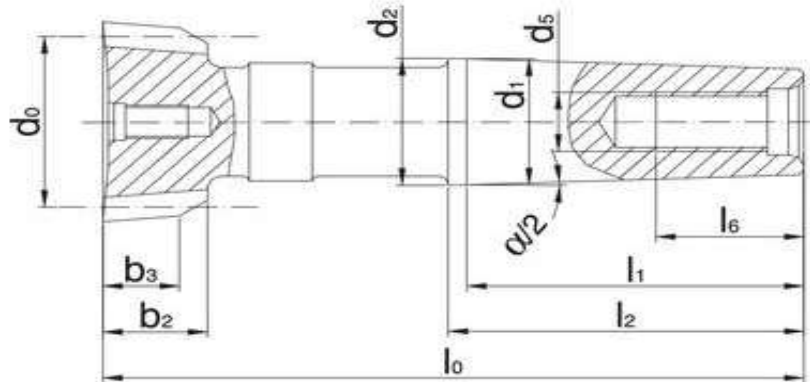


## 15. Schaftschneidrad ASA B 5.15-1960

(Eingriffswinkel 30°, FILLET ROOT)



Modul	Zähnezahl Z	Nenndurchmesser $d_0$	Verzahnungs- breite $l_0$ - $l_2$	Morse- kegel	Bemerkung
0.79375	10	8	30	2	DP 32/64, hapo 0.5
0.79375	28	23.5	35	2	DP 32/64, hapo 0.72
1.0583	10	11.5	40	2	DP 24/48, hapo 0.5
1.27	10	15	17	2	DP 20/30, hapo 0.69
1.27	12	17	50	2	DP 20/40
1.5875	8	15	30	2	DP 16/32
1.5875	8	15	50	2	DP 16/32, hapo 0.67
1.5875	16	26	80	4	DP 16/32, hapo 0.5
2.1166	8	19	60	2	DP 12/24, hapo 0.55
2.1166	8	20	60	2	DP 12/24, hapo 0.5
2.54	8	24	50	2	DP 10/20, hapo 0.5
2.54	8	23	80	4	DP 10/20, hapo 0.5
3.175	8	30	110	4	DP 8/16, hapo 0.67
3.175	9	32	50	2	DP 8/16
4.2333	8	38	80	4	DP 6/12, hapo 0.5
5.08	8	47	60	2	DP 5/10, hapo 0.5
5.08	10	55	100	4	DP 5/10, hapo 0.5